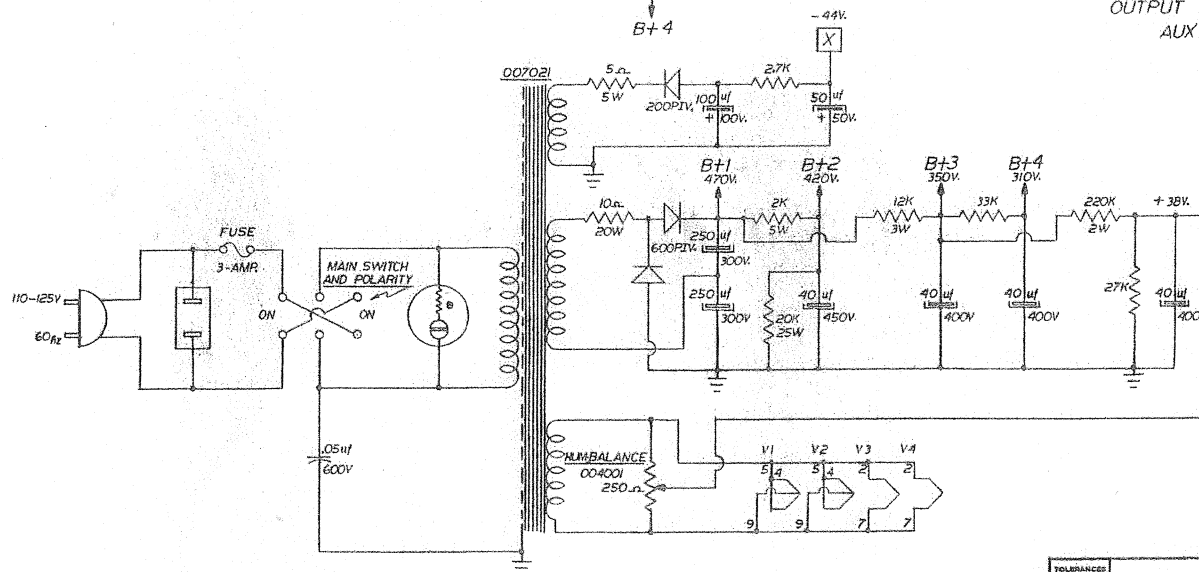


NOTES

ALL CAPACITORS IN MICROFARADS
UNLESS OTHERWISE SPECIFIED.
ALL RESISTORS 1/2W 10%
UNLESS OTHERWISE SPECIFIED.

ALL D.C. VOLTAGE MEASUREMENTS
ARE WITH RESPECT TO GROUND
AND ARE TAKEN AT 117VAC LINE
VOLTAGE WITH 8.Ω LOAD CONNECTED
TO OUTPUT AND NO SIGNAL APPLIED
TO INPUT.

ADJUST EACH OUTPUT BIAS CONTROL
TO PROVIDE .414VDC AT CATHODE OF
THE ASSOCIATED TUBE.



TOLERANCES (unless noted)	
RESISTOR	5% 1/2W
CAPACITOR	5% 1/2W
TITLE THUNDERSTAR BASS	
ANGULAR	DATE 7-28-68